

**Important Note:** If access is limited – i.e. clearance less than 150mm (6") above door lintel & less than 100mm (4") at end of spring shaft, it will be necessary to take down the door prior to commencing pulley replacement.

**Contents:**

1. DPIN 0884	- CD Professional Pulley – L/H ~ Red	- 1 OFF
2. DPIN 0885	- CD Professional Pulley – R/H ~ Black	- 1 OFF
3. DPIN 550002	- Fitting Instructions	- 1 OFF
4. DPIN 0284	- Roll Pin 5/32" x 7/8" BZP	- 1 OFF
5. DPIN 0273	- Ø4 x 50mm Retaining 'Split' Pin	- 1 OFF

<b>Tools Required:</b>	- 22mm Open Ended Spanner	- 4mm Pin punch
	- Pair Pliers	- Hammer
	- Posi-drive screwdriver (L-shaped)	- Step ladder

**Safety Notes:**

- THE SPRING IS UNDER TENSION. Follow instructions carefully to avoid any personal injury.
- WEAR PROTECTIVE GLOVES.
- WEAR EYE PROTECTION.
- TWO PERSONS MAY BE REQUIRED FOR THIS OPERATION.

**Recovery Instructions:**

If the door is jammed in a partially open condition refer to recovery instructions in envelope on rear of door.

**Fitting Instructions:**

1. Ensure grub-screws in tensioner are fully tightened, opening door slightly to reach rear-facing grub-screw.
2. Hold the R/H pulley with spanner and by turning upwards, align holes in spring anchor bush and spring shaft. Insert retaining pin fully into hole (see Fig 1), and remove spanner.
3. Open door slightly, enough (approx. 10°- 15°) to securely 'wedge' open with suitable (approx. 6" high) packing, enabling the lift cables to become slack.
4. Remove the cable retainer from the pulley to be replaced by unscrewing the fixing screw located on the inner of the spring mounting bracket, using an L-shaped small posi-drive screwdriver.
5. Note the number of cable turns wound onto the pulley before tapping out the roll pin from the pulley using a 4mm pin punch and hammer.
6. Tap the offending pulley off the end of the spring shaft before loosening the retaining screw and removing the cable.
7. Refit cable onto replacement pulley, ensuring the previously noted number of turns are re-wound and the cable sits in the correct pulley grooves, and secure by tightening the retaining screw. If the spring tension is released with the cable out of alignment the pulleys may be damaged and the door will not lift correctly.
8. Rotate pulley until the hole lines up with hole in spring shaft and tap the roll pin back into place.
9. Remove the packing from under the door and allow the door to return to the fully closed position, with latches engaged.
10. Replace cable retainer and secure to spring mounting bracket with screw.
11. To release spring tension, grip R/H pulley with spanner and ease upwards until the retaining pin can be removed. Allow the spanner to rotate downwards slowly until the spring tension is re-taken by the cables.

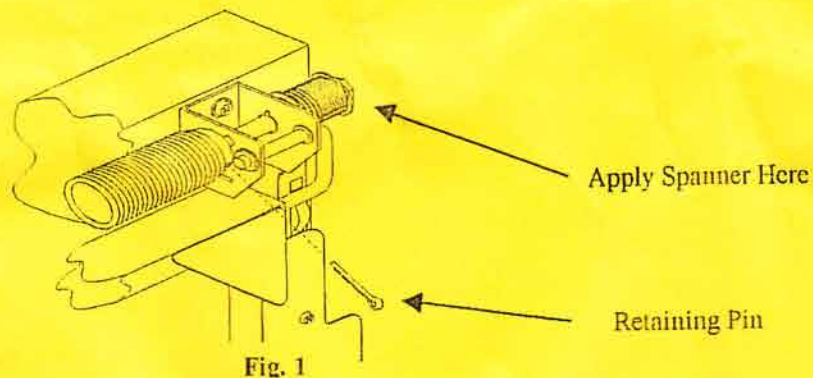


Fig. 1